

Sewing Instructions: Steps 4

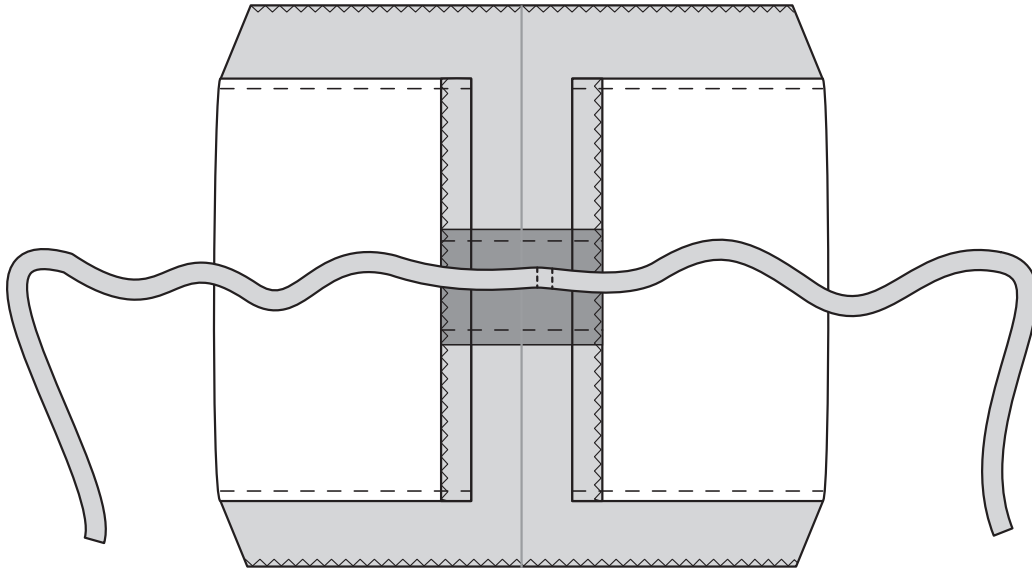


DIAGRAM 5

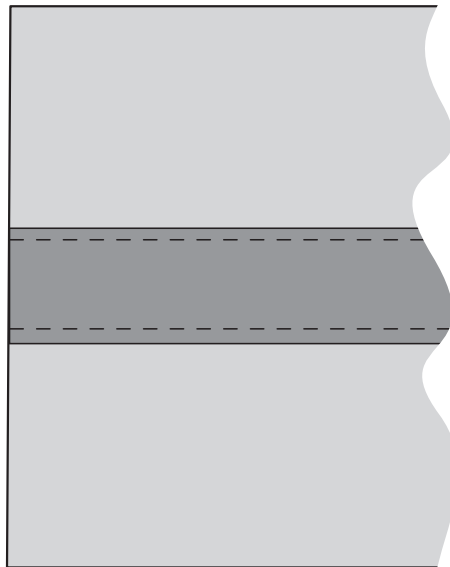


DIAGRAM 2