

PATTERN
BROUGHT
TO YOU BY:

Quilts & more™

allpeoplequilt.com

PROJECT: Easy Pet Bed

Your cat will love curling up on a pieced bed made of feline-theme prints.

INSPIRED BY: *Top Dog* from designer Monique Jacobs (opengatequilts.com)

PROJECT TESTER: Jan Ragaller



FABRICS are from the Paw Prints for ASPCA collection by Michael Miller Fabrics (michaelmillerfabrics.com).

PROJECT: Easy Pet Bed

PET BED

Finished size: 12×18½×2"

MATERIALS

Yardages and cutting instructions are based on 42" of usable fabric width.

- ❑ ½ yard gray print (bed front, bed back)
- ❑ 10" square orange print (bed front)
- ❑ ⅓ yard blue print (bed front, bed back)
- ❑ 1 yard 20"-wide, medium-weight, iron-on fusible interfacing
- ❑ 13×18×2" foam insert

CUT FABRICS

Cut pieces in the following order.

From gray print, cut:

- 2—10½" squares
- 2—2⅞×21" strips
- 2—2⅞×9¾" strips
- 2—2⅞×4½" strips
- 2—1½×13" strips

From orange print, cut:

- 1—4½×9¾" rectangle

From blue print, cut:

- 2—2½×21" strips
- 2—2½×10½" strips
- 2—2⅞×16¼" strips
- 2—2⅞×6½" strips

From fusible interfacing, cut:

- 1—14½×21" rectangle
- 2—10×10½" rectangles
- 2—2½×21" strips
- 2—2½×10½" strips

ASSEMBLE BED TOP

Measurements include ¼" seam allowances. Sew with right sides together unless otherwise stated.

- 1) Sew gray print 2⅞×4½" strips to short edges of orange print 4½×9¾" rectangle. Join gray print 1½×13" strips to remaining edges (**Bed Top Assembly Diagram**). Press all seams toward gray strips.
- 2) Add blue print 2⅞×6½" strips to short edges of Step 1 unit. Join blue print 2⅞×16¼" strips to remaining edges. Press all seams toward blue print.
- 3) Sew gray print 2⅞×9¾" strips to short edges of Step 2 unit. Join gray print 2⅞×21" strips to remaining edges to make bed top. Press all seams toward gray print. The top should be 14½×21" including seam allowances.
- 4) Following manufacturer's instructions, adhere fusible interfacing 14½×21" rectangle to cover wrong side of bed top.
- 5) Sew fused 2½×10½" strips to short edges of bed back center. Join fused 2½×21" strips to remaining edges to make bed back. Press all seams toward fused rectangles. The bed back should be 14½×21" including seam allowances.
- 6) Layer bed top and bed back with right sides together. Stitch around outer edges using ½" seam allowance to make bed cover. Zigzag-stitch seam allowances to keep edges from fraying when washed; trim seam allowances to ¼".
- 7) To shape bed cover sides, at one corner match bottom seam line to side seam line, creating a flattened triangle (**Corner Diagram**). Measuring 1" from point of triangle, draw a 2"-long line across triangle. Sew on drawn line. Trim excess fabric, leaving ¼" seam allowance. Zigzag-stitch in seam allowance. Repeat with remaining corners.
- 8) Turn bed cover right side out through opening in back. Add foam insert to complete pet bed.

FINISH PET BED

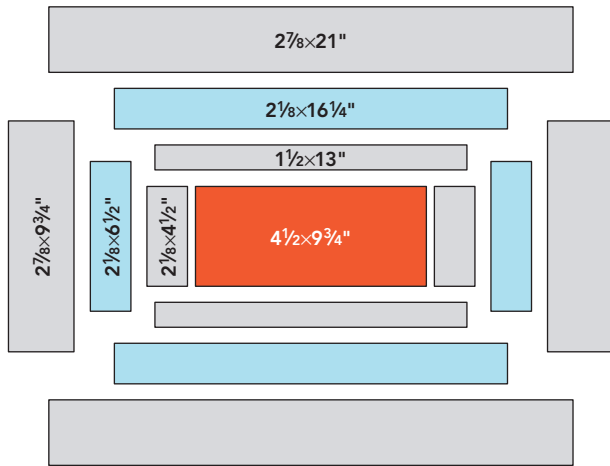
- 1) On the wrong side of the fabric, align a long edge of a fusible interfacing 10×10½" rectangle with an edge of a gray print 10½" square; adhere to make a fused unit. Repeat to make a second fused unit.
- 2) Turn an unfused edge of each Step 1 unit under ¼"; press. Turn under ¼" again, folding fabric over interfacing. Stitch in place. Each fused unit now should be 10×10½" including seam allowances.
- 3) Referring to **Bed Back Assembly Diagram**, overlap hemmed edges of fused units by 3" to make a 10½×17" rectangle. Stitch across overlaps to make bed back center.
- 4) As before, adhere each fusible interfacing 2½×10½" strip to the wrong side of each blue print 2½×10½" strip. Repeat with fusible interfacing 2½×21" strips and blue print 2½×21" strips.
- 5) Sew fused 2½×10½" strips to short edges of bed back center. Join fused 2½×21" strips to remaining edges

PATTERN
BROUGHT
TO YOU BY:

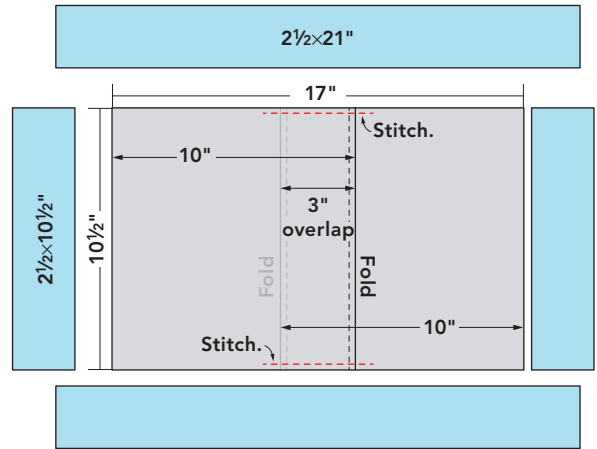
Quilts & more™

allpeoplequilt.com

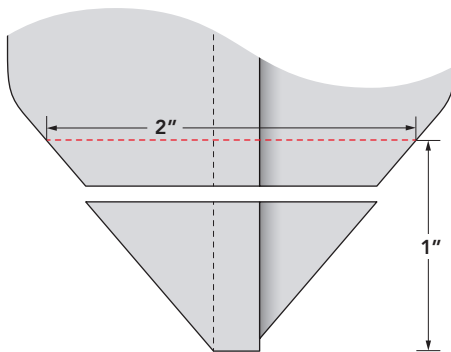
PROJECT: Easy Pet Bed



BED TOP ASSEMBLY DIAGRAM



BED BACK ASSEMBLY DIAGRAM



CORNER DIAGRAM