

Blast from the Past Sampler: Block 11

From *Double Vision* by designers Kathy Schmitz (kathyschmitz.com) and Bonnie Sullivan (allthroughthenight.net)
American Patchwork & Quilting magazine December 2008

FINISHED BLOCK: 9" square

MATERIALS

Yardages and cutting instructions are based on 42" of usable fabric width.

- 10" square medium print No. 1
- 5" square dark print
- 5" square light print
- 9x21" piece (fat eighth) medium print No. 2

CUT FABRICS

Cut pieces in the following order.

From medium print No. 1, cut:

- 2-1x5½" strips
- 2-1x4½" strips

From dark print, cut:

- 1-4½" square

From light print, cut:

- 8-1½" squares

From medium print No. 2, cut:

- 4-2½x5½" rectangles
- 4-2½" squares

ASSEMBLE BLOCK

Measurements include ¼" seam allowances. Sew with right sides together unless otherwise stated.

Press seams in directions indicated by arrows on diagrams. If no direction is specified, press seam toward darker fabric.

1 Sew medium print 1x4½" strips to opposite edges of dark print 4½" square. Add medium print 1x5½" strips to remaining edges to make center unit (**Diagram 1**). The unit should be 5½" square including seam allowances.

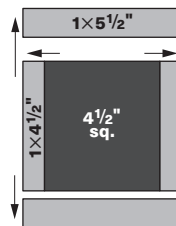


Diagram 1

2 Use a pencil to mark a diagonal line on wrong side of each light print 1½" square.

3 Align two marked light print squares with bottom corners of a medium print 2½x5½" rectangle (**Diagram 2**; note direction of drawn lines). Stitch on marked lines; trim seam allowances to ¼". Press open attached triangles to make a rectangle unit. The unit still should be 2½x5½" including seam allowances. Repeat to make four rectangle units total.

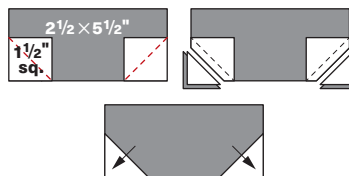


Diagram 2

4 Referring to **Diagram 3**, sew together medium print 2½" squares, rectangle units, and center unit in three rows. Join rows to make block. The block should be 9½" square including seam allowances.

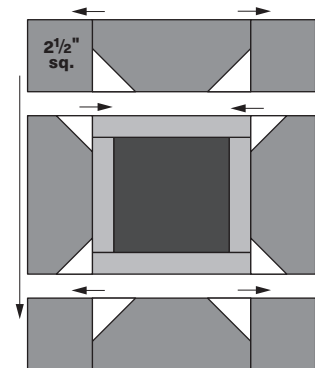
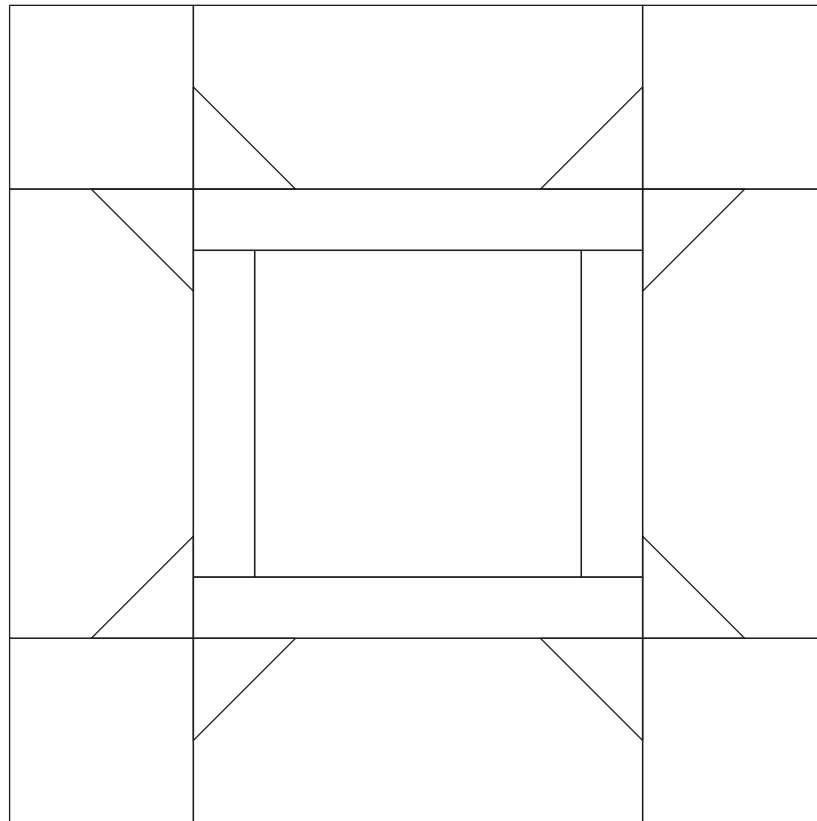
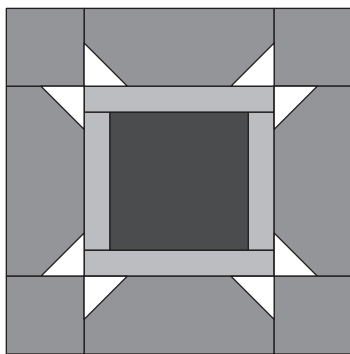


Diagram 3

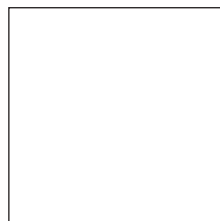




Coloring Diagram



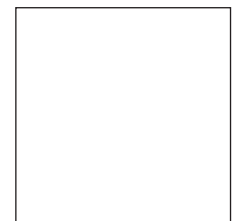
Use the Coloring Diagram, *top*, to plan your version of the original block, *above*. Audition fabric swatches using the squares, *right*.



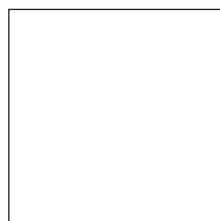
Swatch



Swatch



Swatch



Swatch



Swatch



Swatch