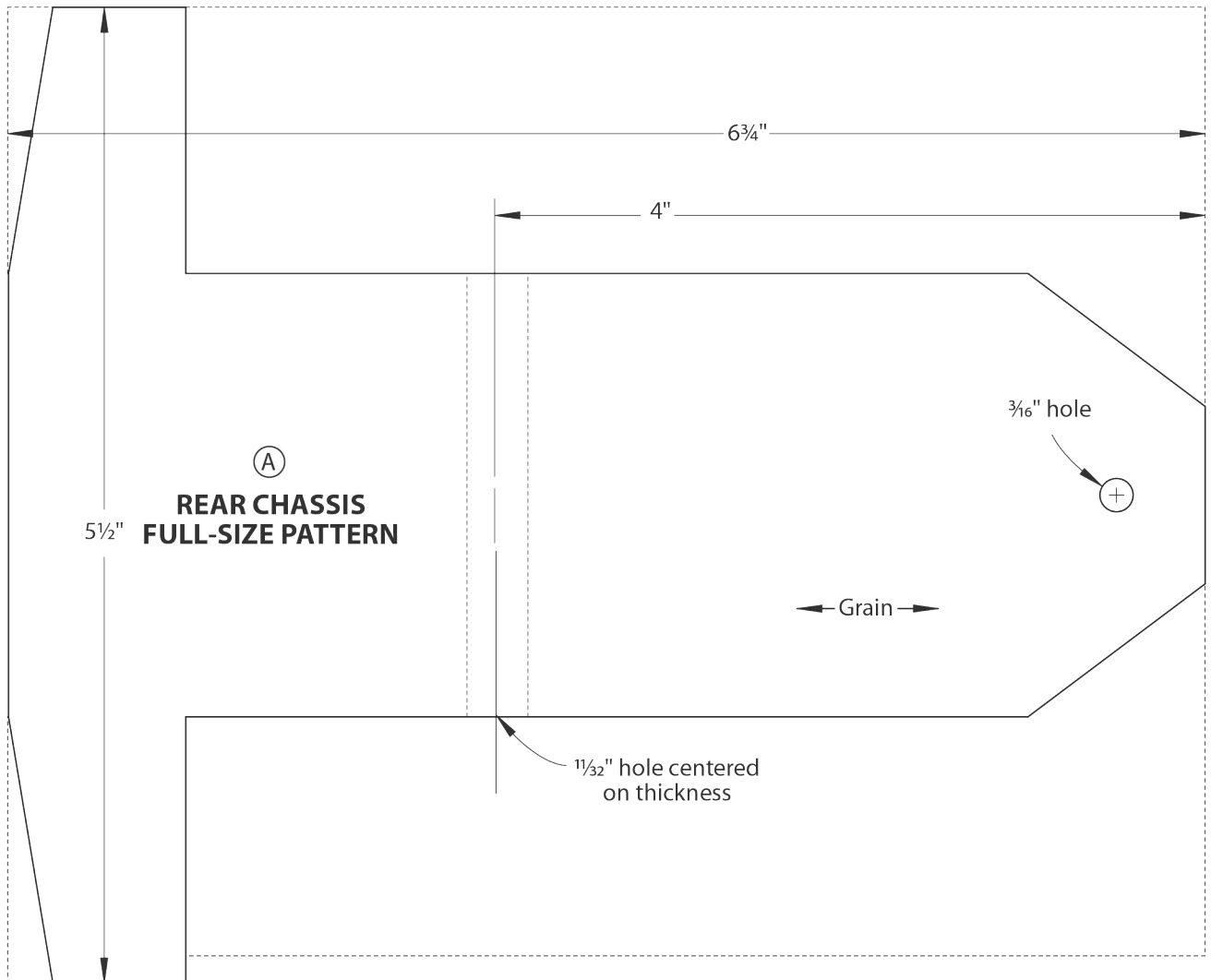
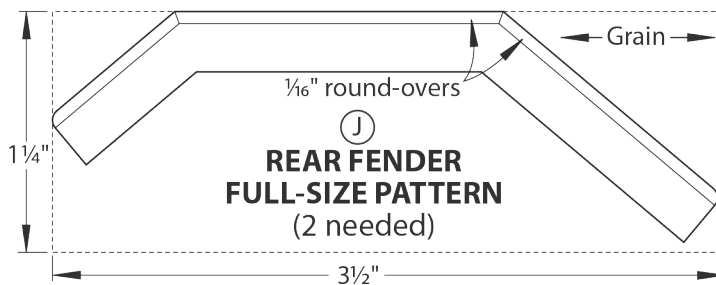
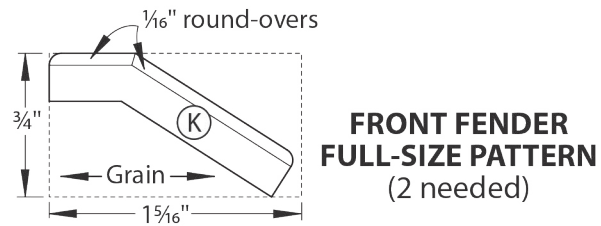
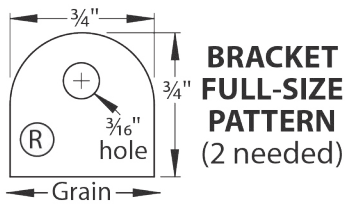
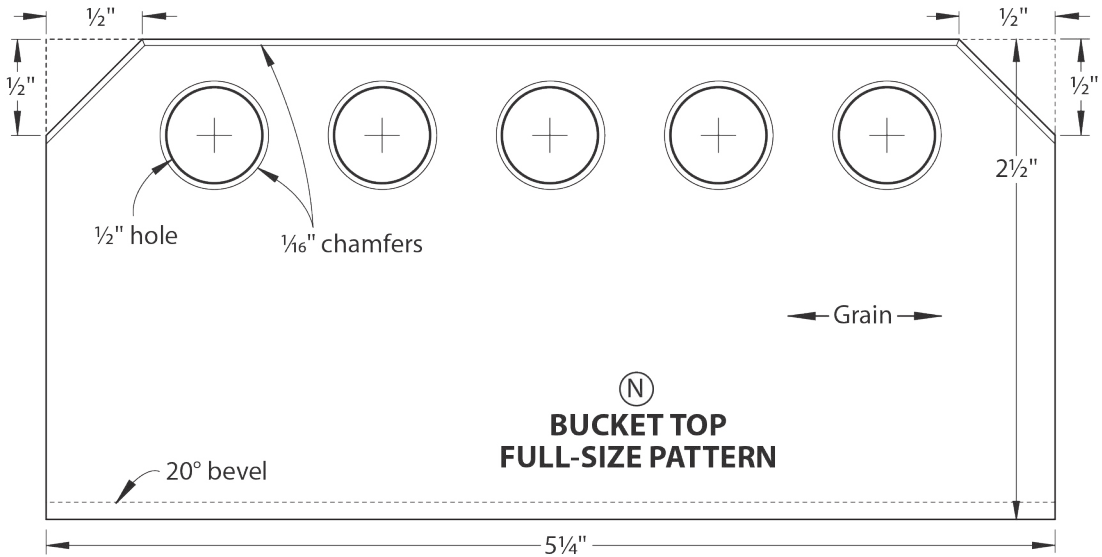
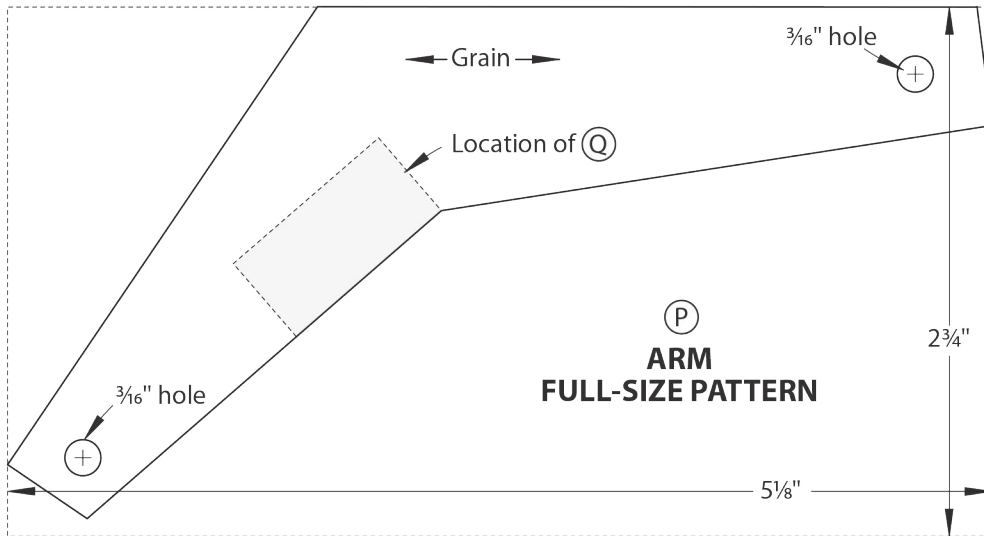


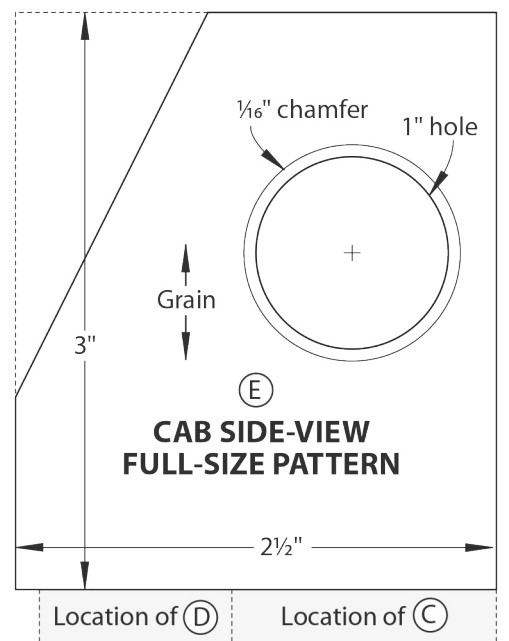
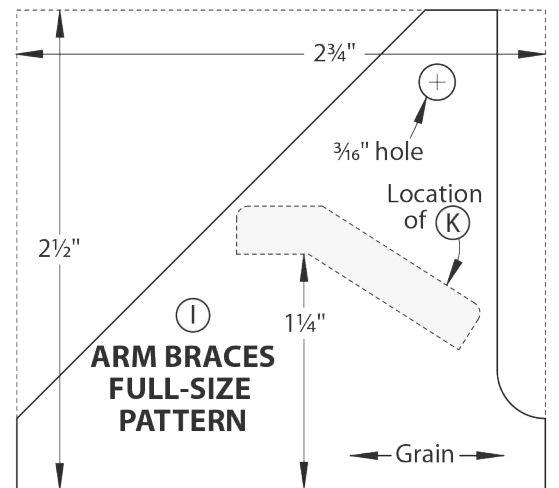
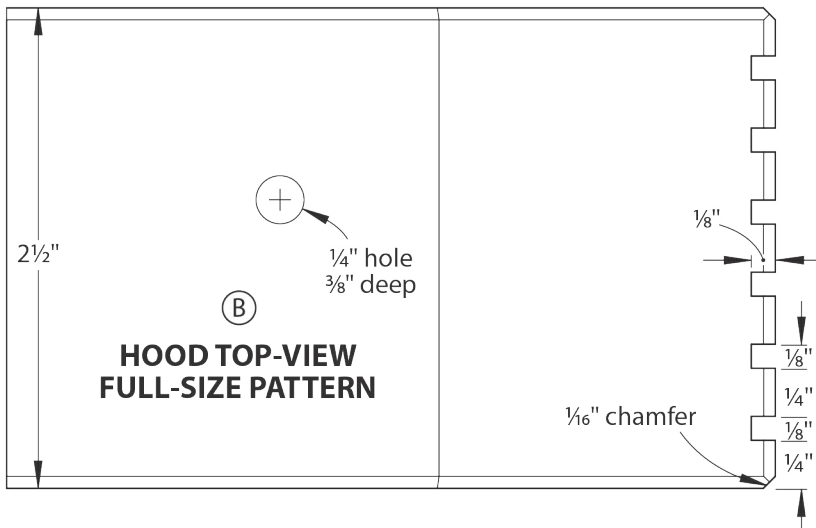
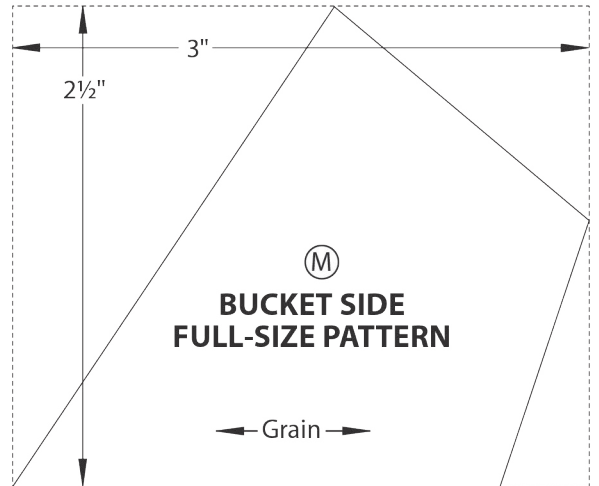
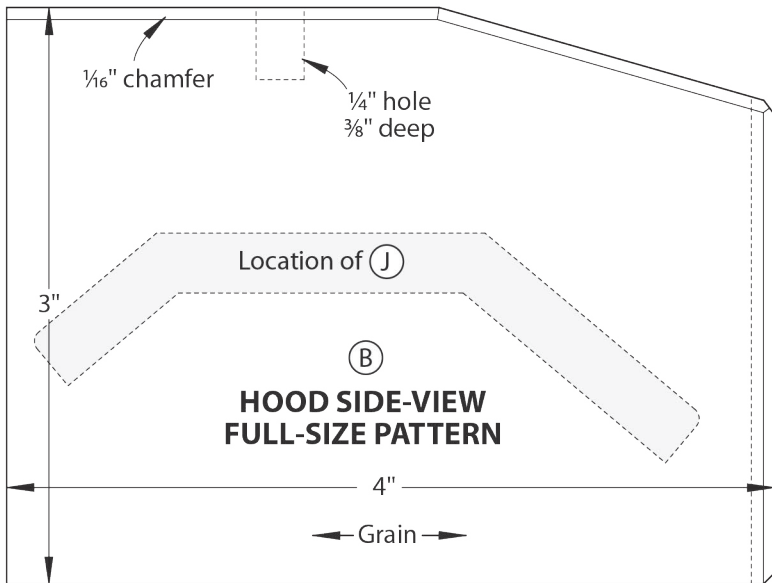
**Dear Reader:** As a service to you, we've included full-size patterns on this insert for irregular-shaped and intricate project parts. You can machine all other project parts using the Materials List and the drawings accompanying the project you're building.

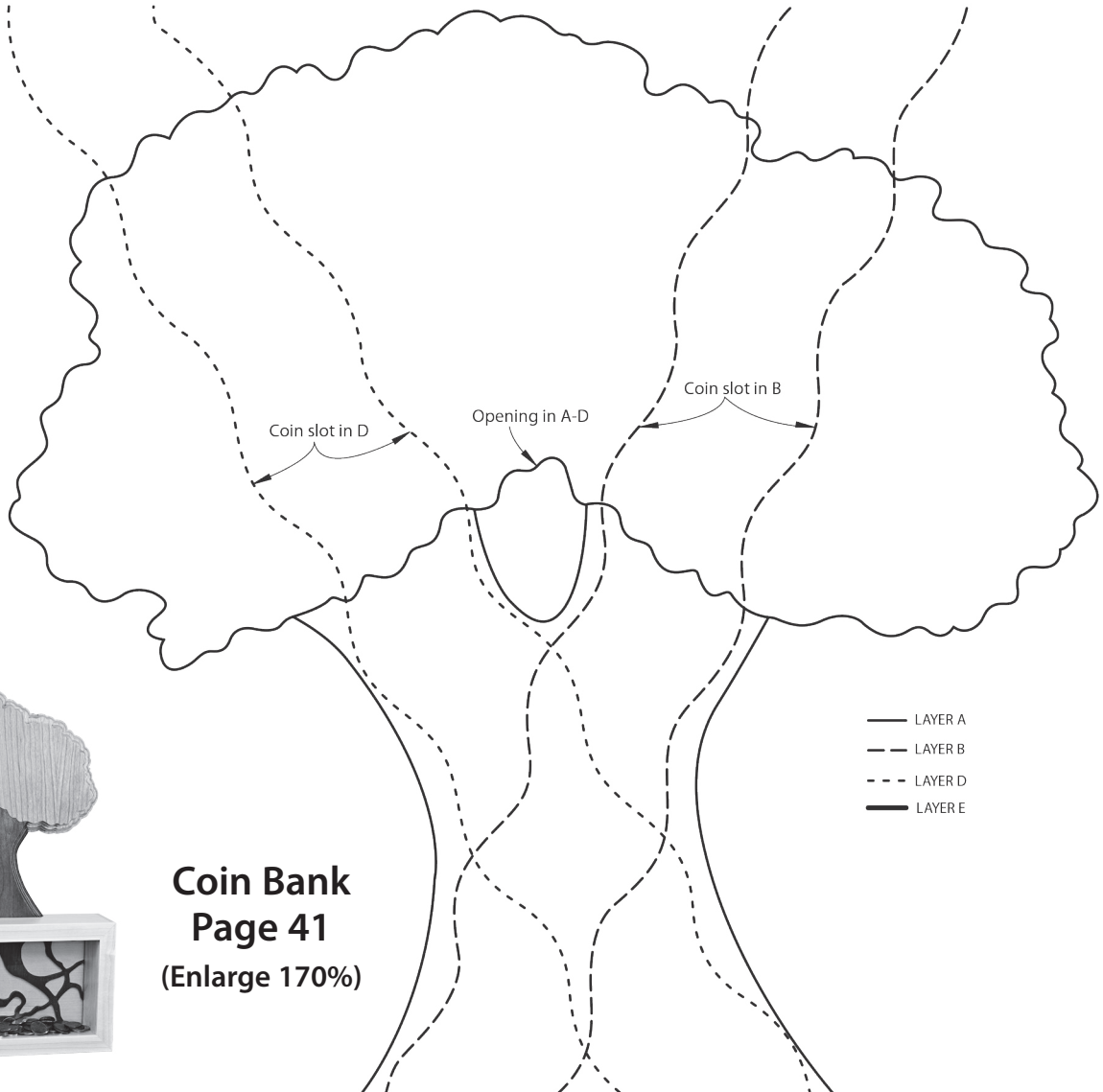
© Copyright Meredith Corporation, 2013. All rights reserved. Printed in the U.S.A. Meredith Corp., the publisher of WOOD Patterns®, allows the purchaser of this pattern insert to photocopy these patterns solely for personal use. Any other reproduction of these patterns is strictly prohibited.

## Construction-grade Loader Page 32









- LAYER A
- - LAYER B
- . . LAYER D
- LAYER E



**Coin Bank**  
**Page 41**  
**(Enlarge 170%)**

