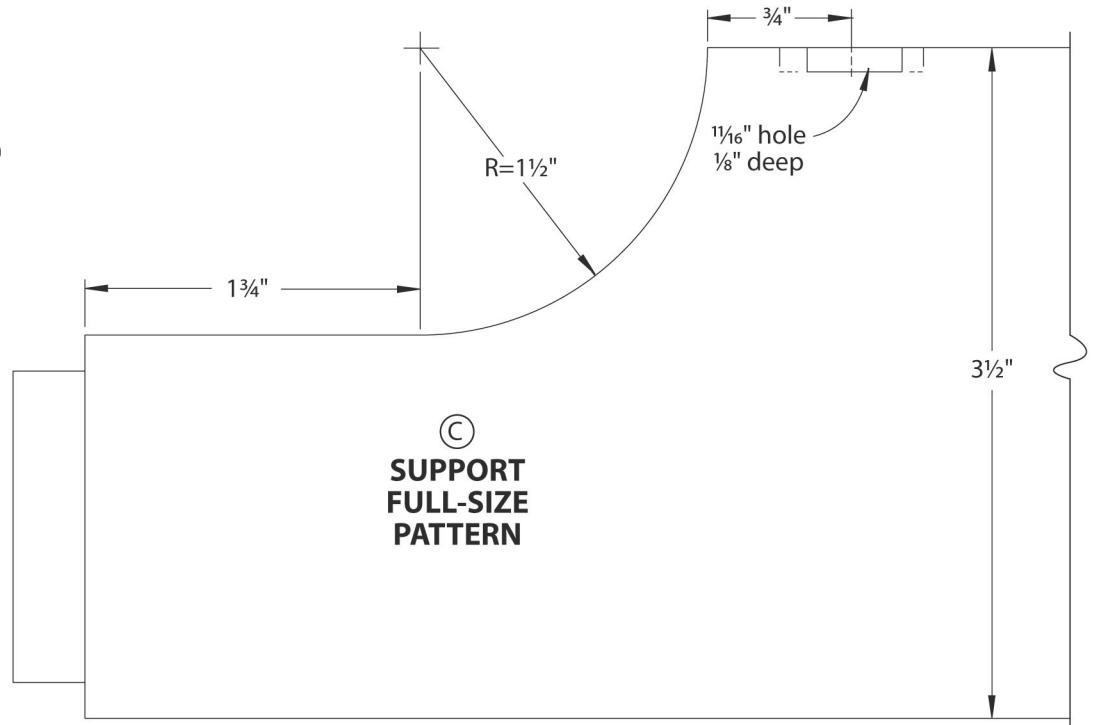


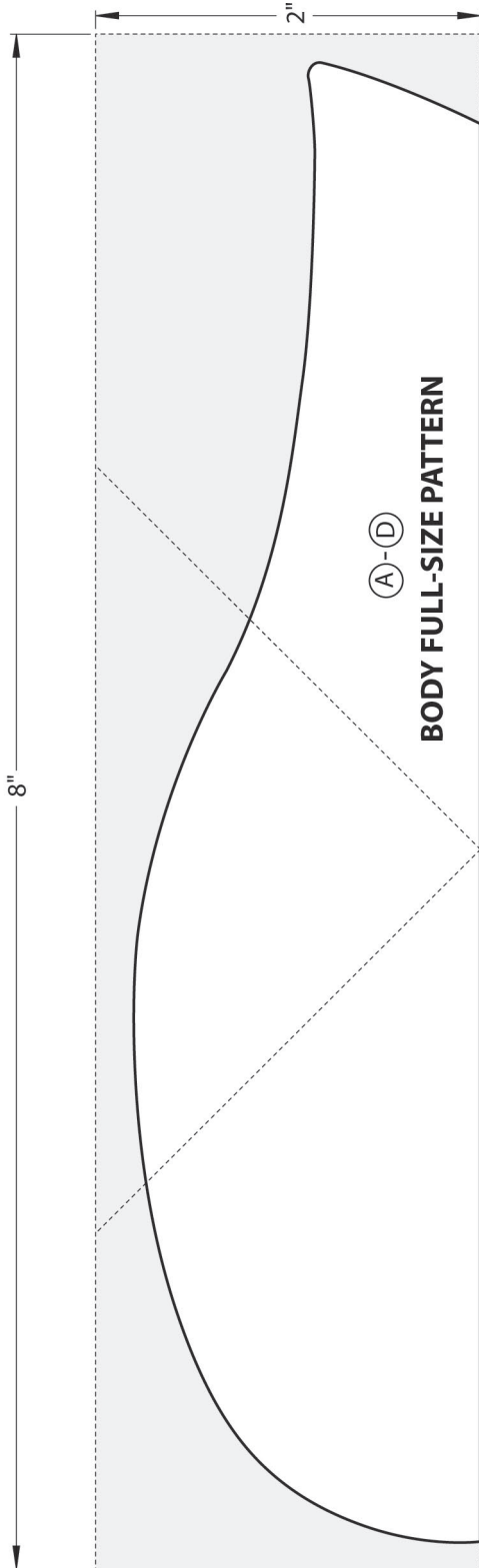
**Basic-Built Bookcase
Page 36**



Floating-Top Table Page 72



Hand Plane
Page 62



Better Homes and Gardens®
WOOD
PATTERNS®

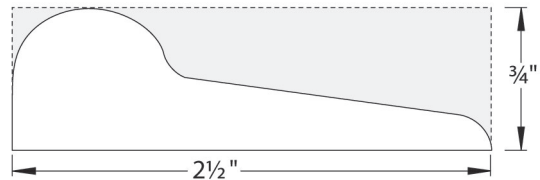
September 2011

Issue 206

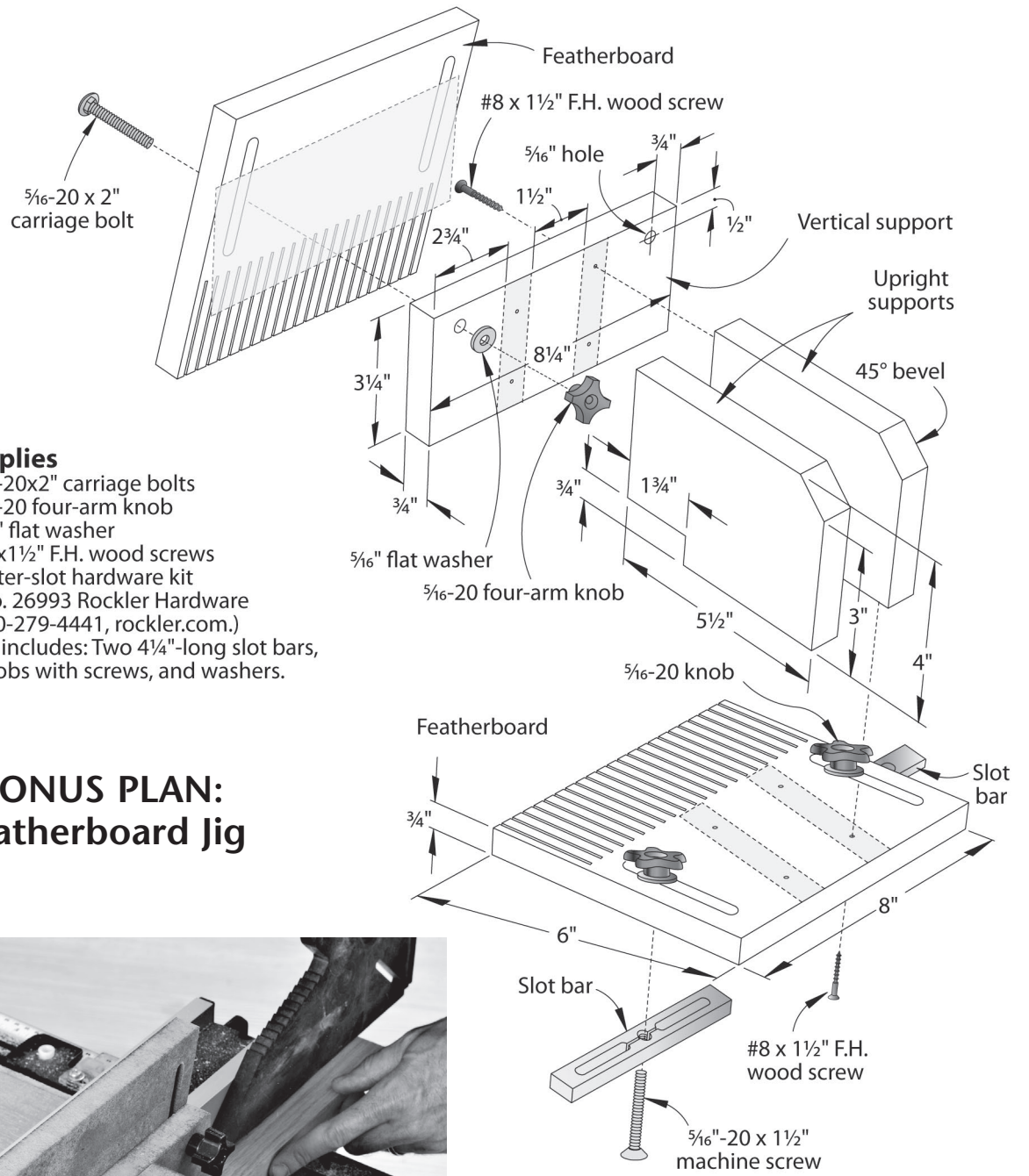
Dear Reader: As a service to you, we've included full-size patterns on this insert for irregular-shaped and intricate project parts. You can machine all other project parts using the Materials List and the drawings accompanying the project you're building.

© Copyright Meredith Corporation, 2011. All rights reserved. Printed in the U.S.A. Meredith Corp., the publisher of WOOD Patterns®, allows the purchaser of this pattern insert to photocopy these patterns solely for personal use. Any other reproduction of these patterns is strictly prohibited.

SPONSORED BY



WEDGE FULL-SIZE PATTERN



Supplies

- 2 5/16-20x2" carriage bolts
- 2 5/16-20 four-arm knob
- 2 5/16" flat washer
- 8 #8x1 1/2" F.H. wood screws
- 1 Miter-slot hardware kit
(no. 26993 Rockler Hardware
800-279-4441, rockler.com.)
Kit includes: Two 4 1/4"-long slot bars,
knobs with screws, and washers.

BONUS PLAN: Featherboard Jig



