

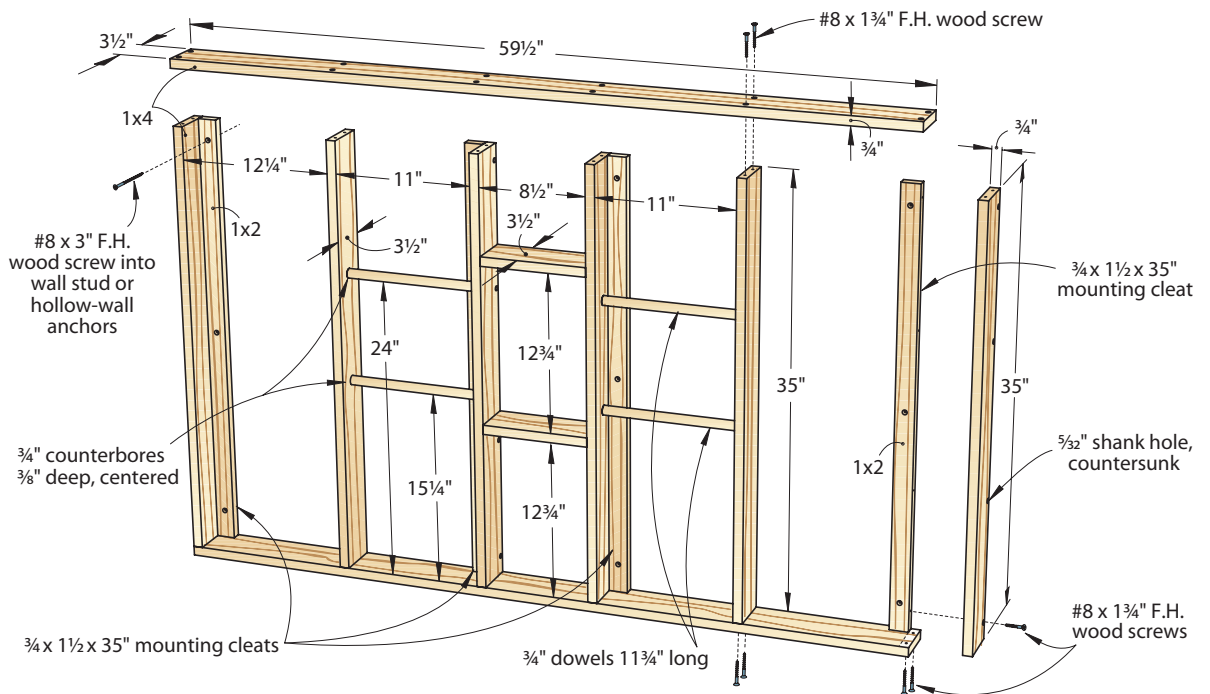
# Great Ideas for Your Shop

## Space-Saving Clamp Rack

**Y**ou can never have too many clamps, but organizing the countless shapes and sizes they come in can be a huge problem. Until now. Build the unit as shown, or customize it to fit your wall space. It's made of inexpensive 1x2 and 1x4 pine; numerous "shelves" support even large clamp collections. In addition to 1x4 shelves, it also has dowels for hanging spring clamps and other small C-clamps. To anchor the unit firmly to a wall, screw 1x2 cleats to the 1x4 uprights, and center the cleats over studs.



Project design: Rod Cox, St. Paul, Iowa



Find dozens of FREE project plans at:  
[woodmagazine.com/freeplans](http://woodmagazine.com/freeplans)