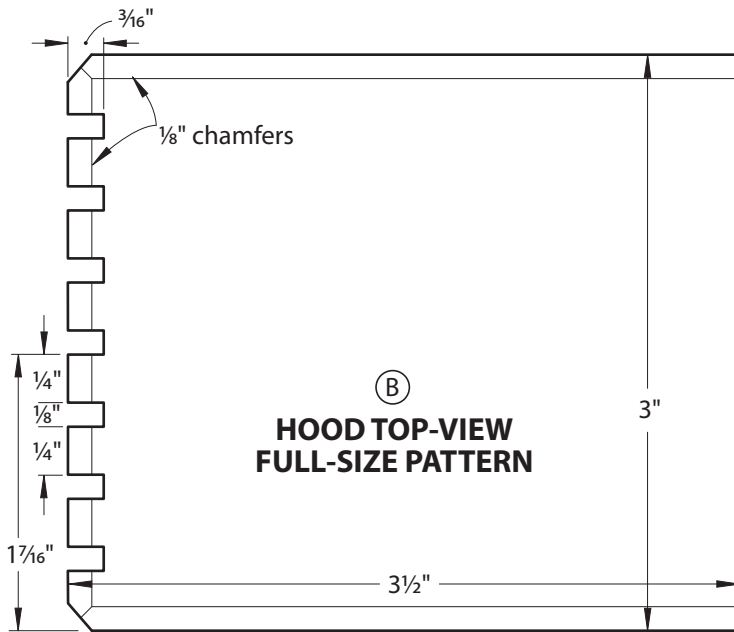
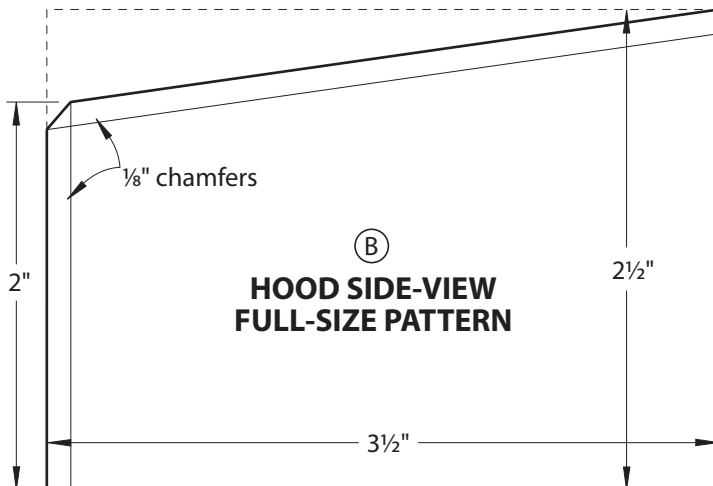


**HITCH  
FULL-SIZE PATTERN**  
(Top view)

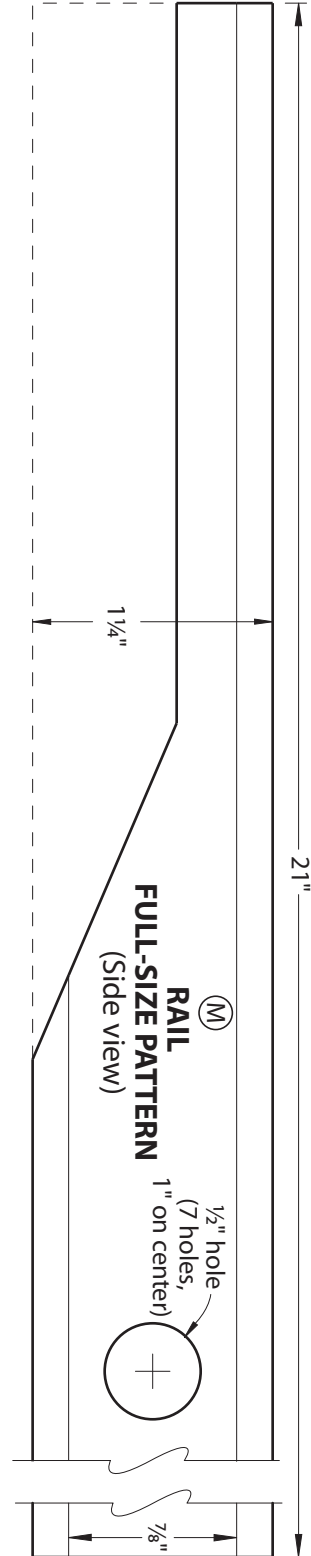
Measure patterns after printing to verify they printed at correct size.



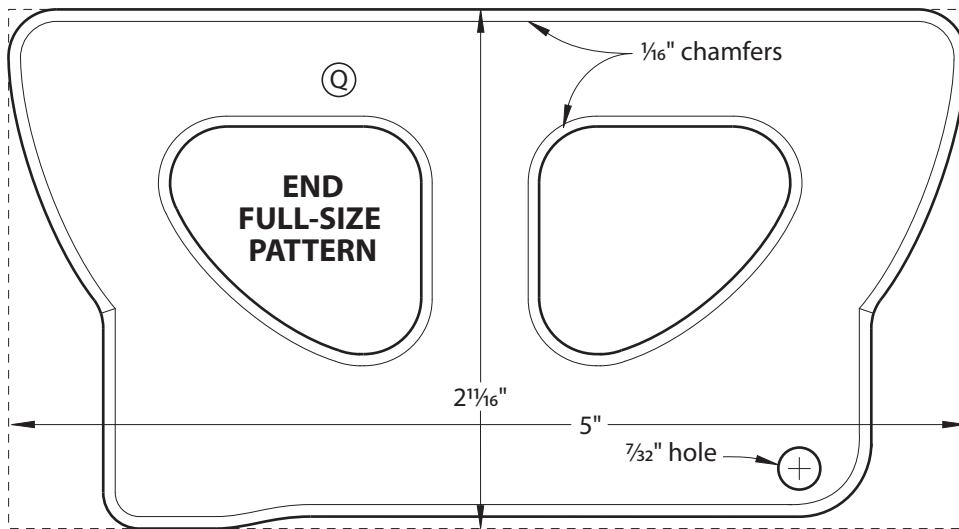
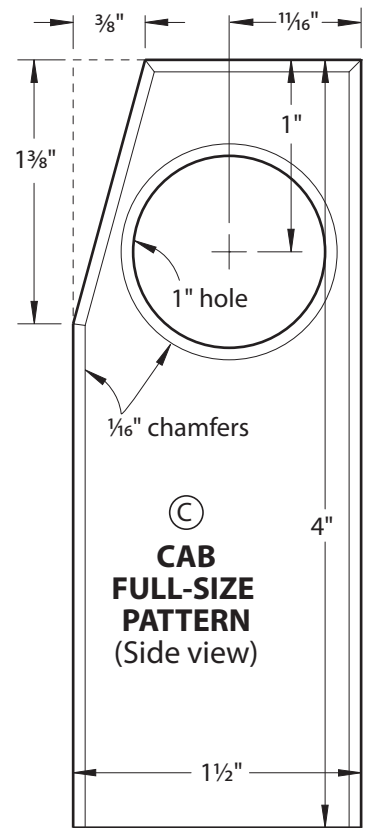
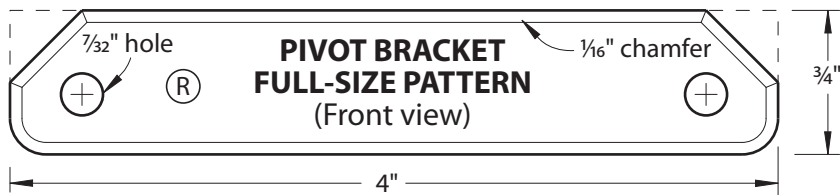
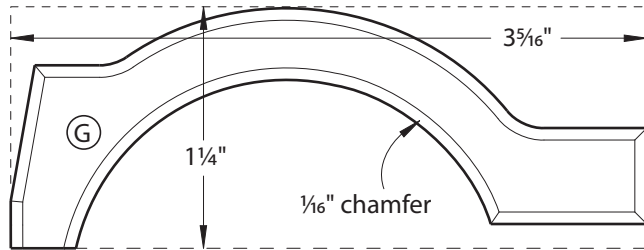
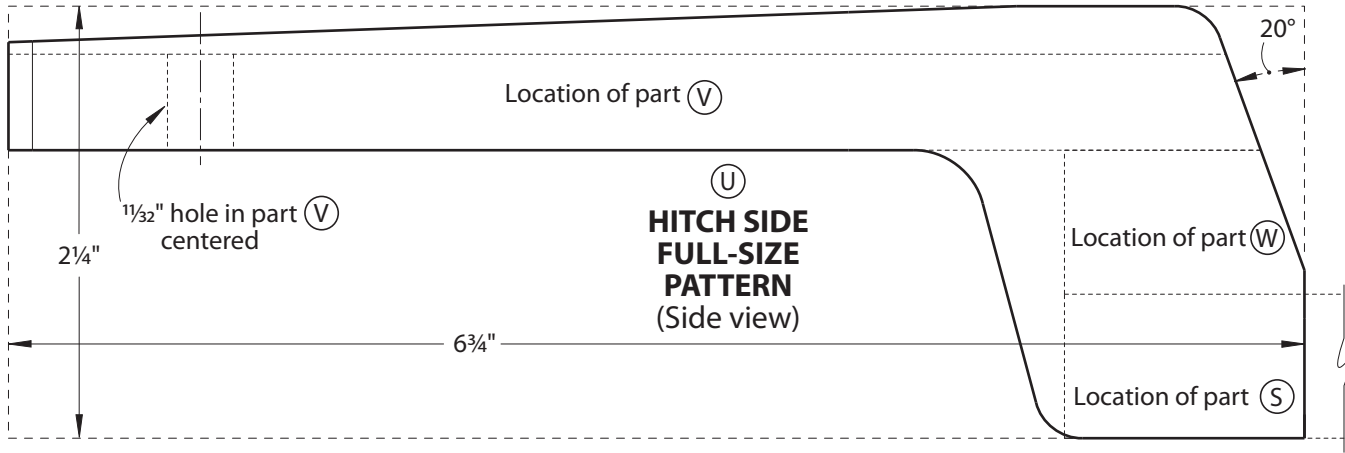
**HOOD TOP-VIEW  
FULL-SIZE PATTERN**



**HOOD SIDE-VIEW  
FULL-SIZE PATTERN**



**RAIL  
FULL-SIZE PATTERN**  
(Side view)



Measure patterns after printing to verify they printed at correct size.