

WOODStore.net

Browse more than 1000 plans, projects, books, techniques, & more

Thank You!

Thank you for ordering a WOOD® magazine download. We hope you enjoy being part of our online experience and that you have fun expanding your woodworking skills.

Please remember that this copyrighted material is for your use only. It is unlawful to share this file with someone else or to reprint it in any form.

Bill Krier
Editor in Chief, WOOD magazine

Adobe Acrobat Reader Troubleshooting Guide

If you can read this page, your Acrobat Reader program is working correctly! But you may still have problems or specific issues, such as printing and saving your downloadable file.

My printer won't print the text correctly
Almost all printing problems are due to not enough free system resources memory. The files are very memory intensive because they include graphics, text, and photos. Close all other programs/applications and print directly out of the Acrobat Reader program, not your Web browser.

Patterns are not printing full-size
Make sure your printer is set to print at 100 percent and that "print to fit" is not checked. These settings are selected in the printer setup or printer options.

I can't save my file now that it's downloaded
You must save the plan when you download the file. Download the file again, except this time try right-clicking on the red download button. A menu window will open. Select "Save target as" or "Save link as" to save the file to your hard drive. Once saved, you can open it up with Adobe Acrobat Reader.

For more details on using Adobe Acrobat Reader please visit our online help section at:
<http://www.woodstore.net/clicherforde.html>

WOOD Store Customer Favorites

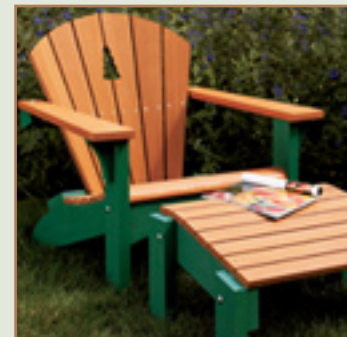
Shop Tools & Accessories



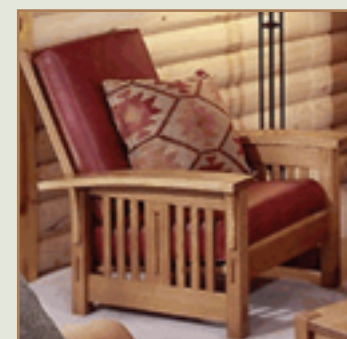
Indoor Furniture



Outdoor Furniture



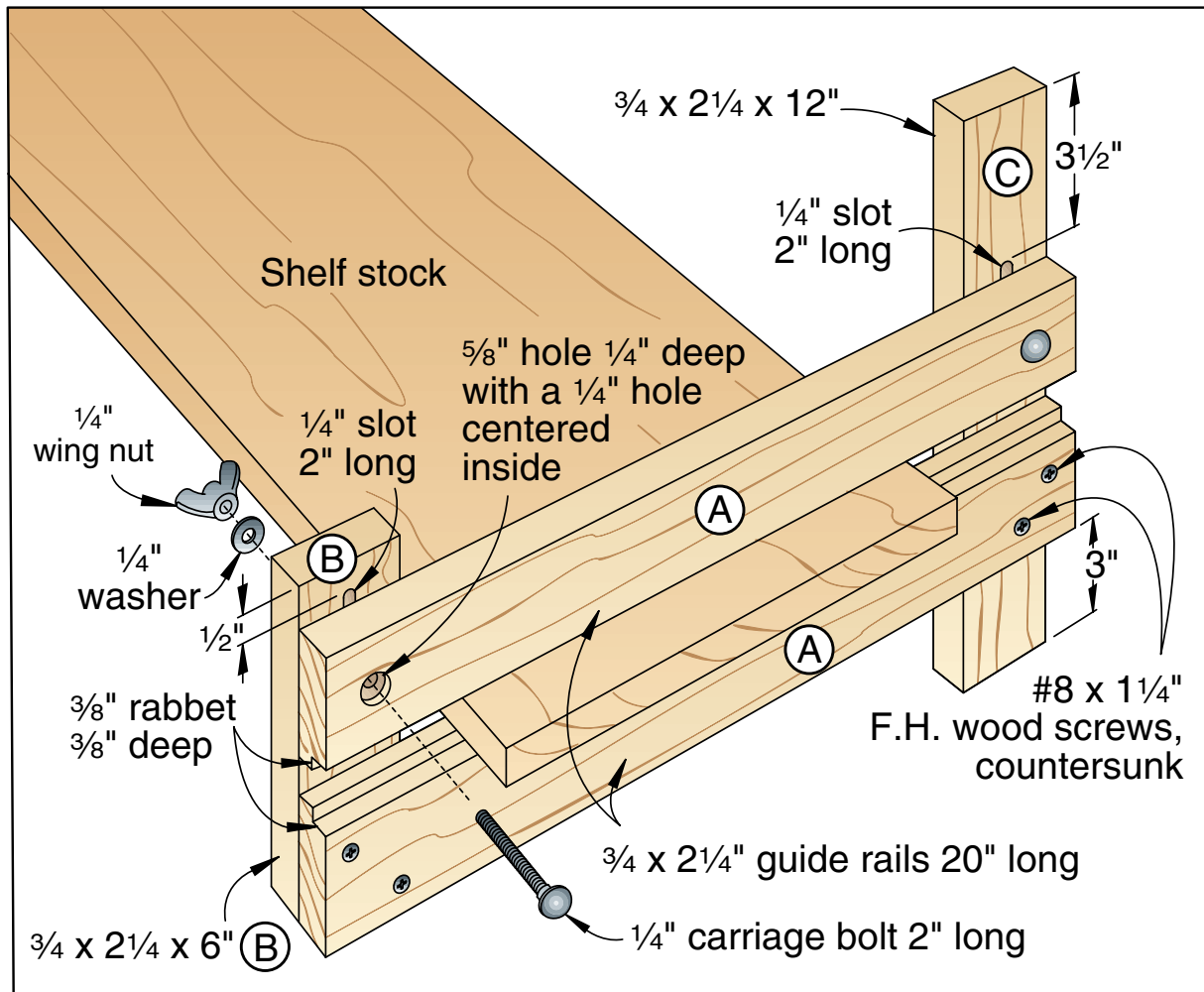
Mission Furniture



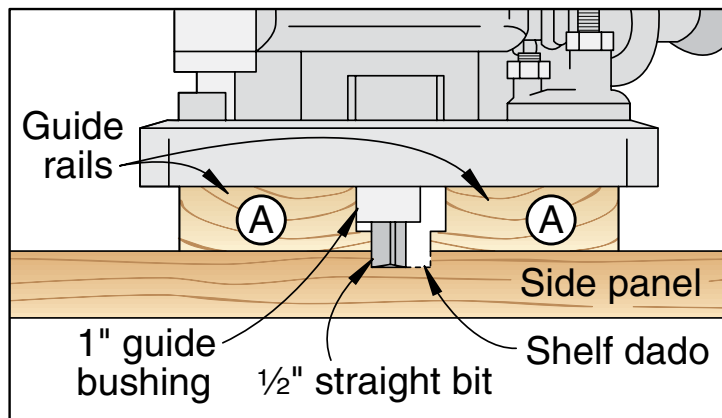
Visit the WOOD Store at:
WOODStore.net

EXTRA-WIDTH DADO JIG





Here's a jig for routing bookcase or cabinet-side dados that exactly match the thickness of your shelf stock. No special bits are needed. Just use an ordinary straight bit and a guide bushing. (We used a 1" guide bushing and a 1/2" straight bit.) To start, cut a 3/8" rabbet 3/8" deep along the inside edge of both guide rails (A). Then complete the jig, as shown in the drawing *above*. To customize the rails for a different bushing and bit, use them to trim the rabbet in the guide rails. The remaining lip will now match your bushing/bit combo. To set the jig for



your shelf stock, slip the jig over the shelf stock, as shown *above right*. Snug the guide rails (A) against the stock, and tighten the wing nuts. Slip the jig off the stock, and clamp the jig onto the piece being dadoed, aligning the gap between the rails (A) over the

marked dado on the side panel. Adjust the depth of cut with your router sitting on top of the rails. Rout one pass with the guide bushing riding against one of the rabbeted rails. Make a second pass riding the bushing against the opposite rabbeted rail. 🌲

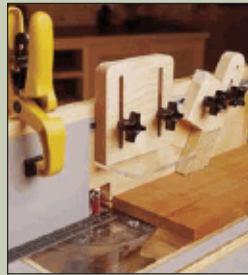
More from WOOD Magazine

WOODStore.net

Browse more than 1,000 woodworking project plans, articles, tool reviews, books, techniques, & more. Each plan includes step-by-step instructions, professional color photography, and detailed illustrations.



Plans



Techniques



Articles



Publications

WOODmagazine.com

A WEALTH OF INFORMATION JUST A CLICK AWAY

The online presence of WOOD magazine, WOODmagazine.com speaks to online users of all woodworking skill levels with free woodworking plans, helpful forums, numerous articles, to help you become a better woodworker.



WOODWorkersCenter.com

LOOKING FOR INFORMATION FROM LEADING WOODWORKING COMPANIES?

WOODWorkersCenter.com is just the site for your woodworking tool, accessory, and service informational needs. Use the online info request feature to request these companies latest catalogs or info.



WOODmagazine.com/videos



PROFESSIONAL, PORTABLE VIDEO
The biggest names in woodworking help you build your skills with downloadable videos.



FREE MAGAZINE SUPPORT 24/7
WOOD magazine editors provide more than 120 streaming videos, from 2 to 10 minutes in length.



BY WOODWORKERS, FOR WOODWORKERS
Watch free videos of other woodworkers showing their stuff.



WATCH A DEMO BEFORE YOU BUY
Don't spend a penny on a tool or accessory until you learn how it works and what it can do.