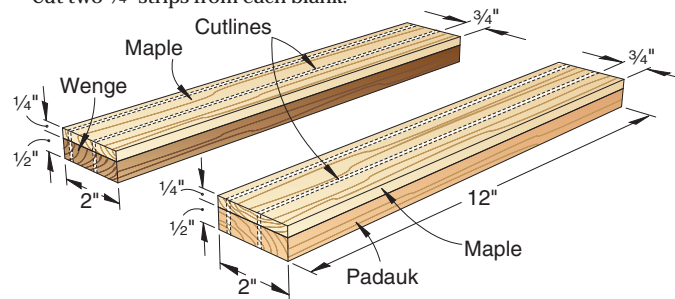


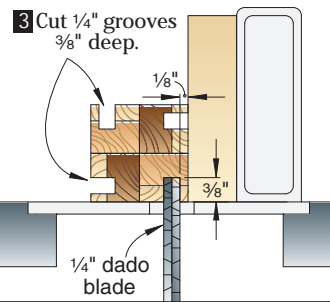
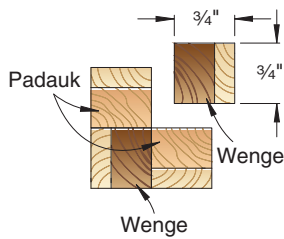
## MAKING AN ALTERNATE DESIGN

(Accompanies the kaleidoscopic key chains  
from the November 2007 issue of WOOD)

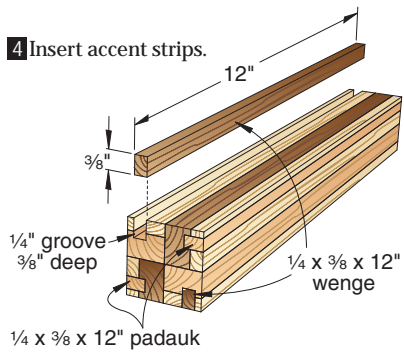
- 1** Glue two pieces together to form each blank.  
Cut two  $\frac{3}{4}$ " strips from each blank.



- 2** Glue assemblies together.



- 4** Insert accent strips.



- 5** Cut key chain sections and round-over all remaining edges.

