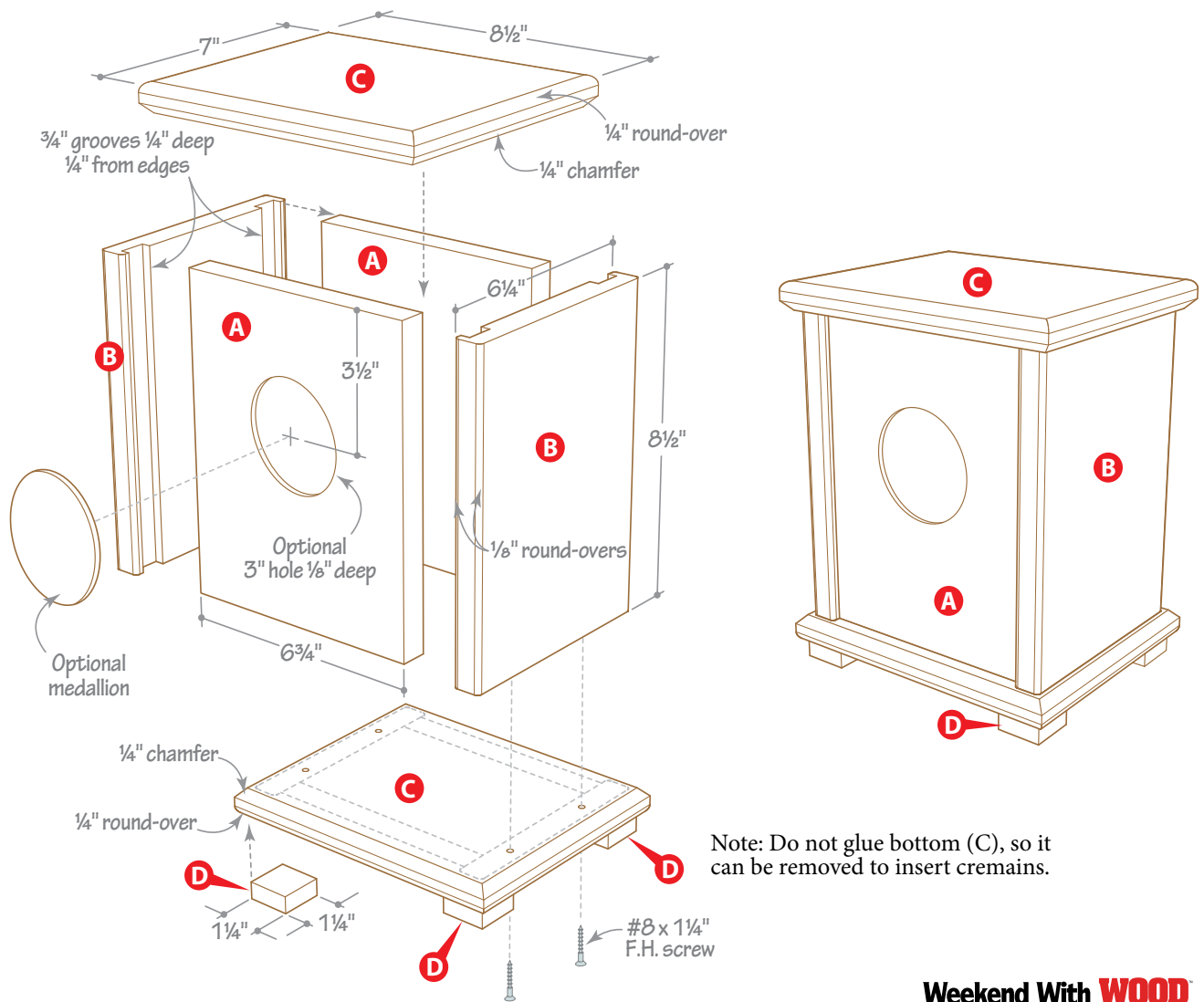


## Veteran's Urn Project

Before building, check with the cemetery to ensure the urn dimensions are suitable for interment there. These plans include an optional recess for a 3" medallion that bears a laser-engraved emblem of the veteran's branch of the armed forces. If you choose to make and include such an emblem, you must first obtain permission from the separate branches. Learn more at [bit.ly/2tcF3VE](http://bit.ly/2tcF3VE).



To find a national/veterans cemetery near you, visit:  
[www.cem.va.gov/cems/listcem.asp](http://www.cem.va.gov/cems/listcem.asp)

Weekend With **WOOD**  
**CHARITY BUILD**

SUPPORTED BY



[www.woodmagazine.com/returns](http://www.woodmagazine.com/returns)  
[www.weekendwithwood.com](http://www.weekendwithwood.com)

©2017 Meredith Corporation