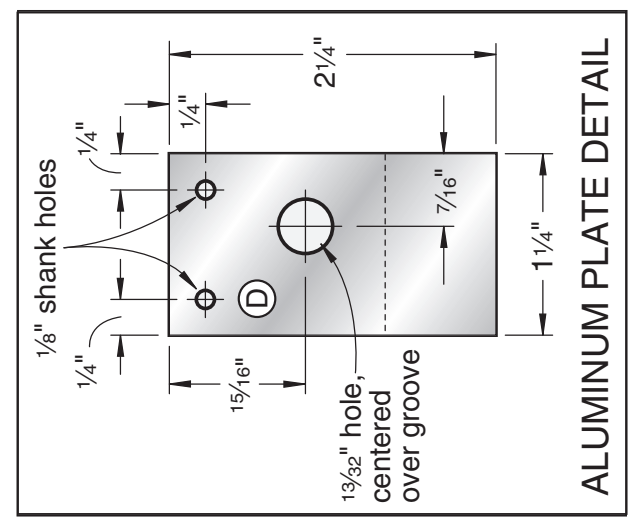
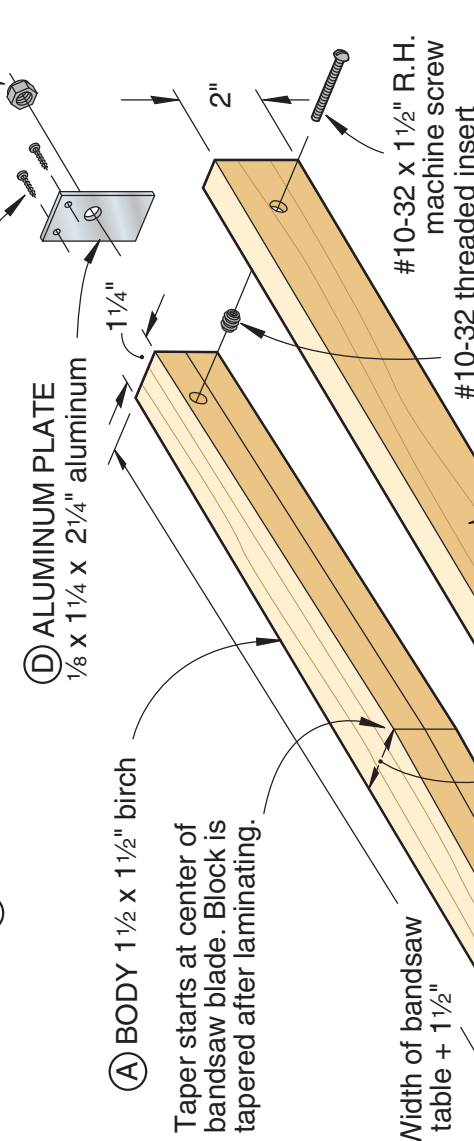


#6 x 3/4" panhead sheet-metal screws
Note: Do not screw the aluminum plate tight against the beveled end of (A). Leave a 1/32" gap between the plate and (A).



5/32" shank holes, countersunk on bottom side. Requires a 7/64" pilot hole 3/4" deep drilled into bottom of fence body (A). Locate screws to avoid groove.