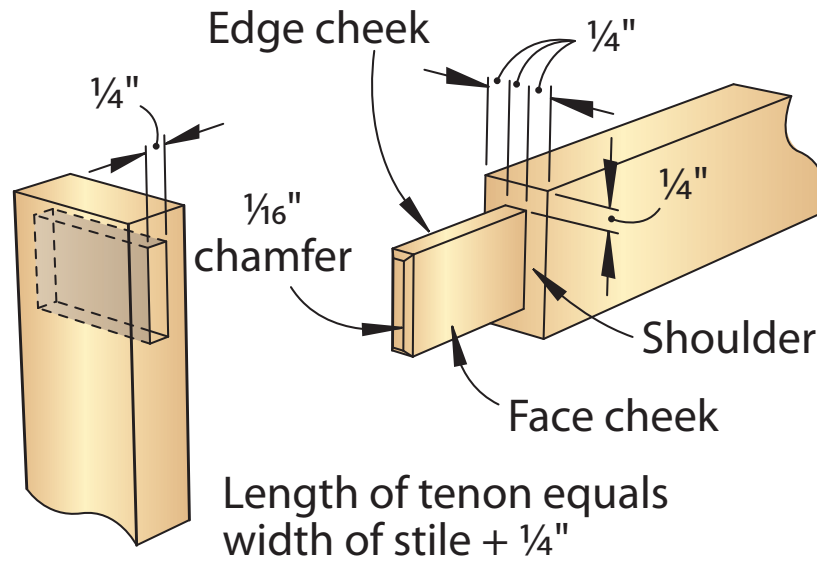


SIZE MORTISES AND TENONS TO SUIT YOUR WORKPIECE THICKNESSES

Joining parts of equal thickness ($\frac{3}{4}$ "



Joining parts of unequal thickness

Maximum = $\frac{1}{3}$ thickness of the mating piece ($\frac{1}{2}$ "

